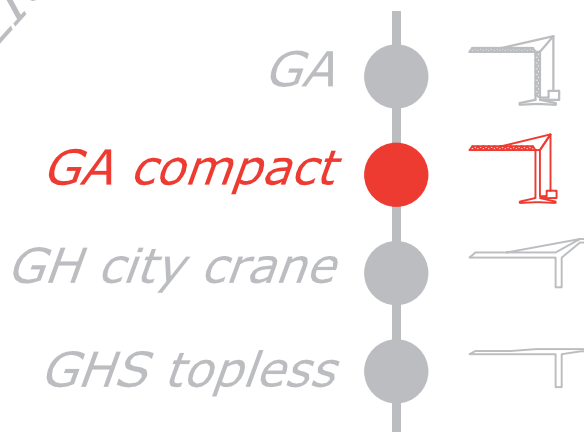


GRU A TORRE

GA 136

GRU AUTOMATICA CON
MONTAGGIO IDRAULICO



FB F.lli Butti s.r.l.

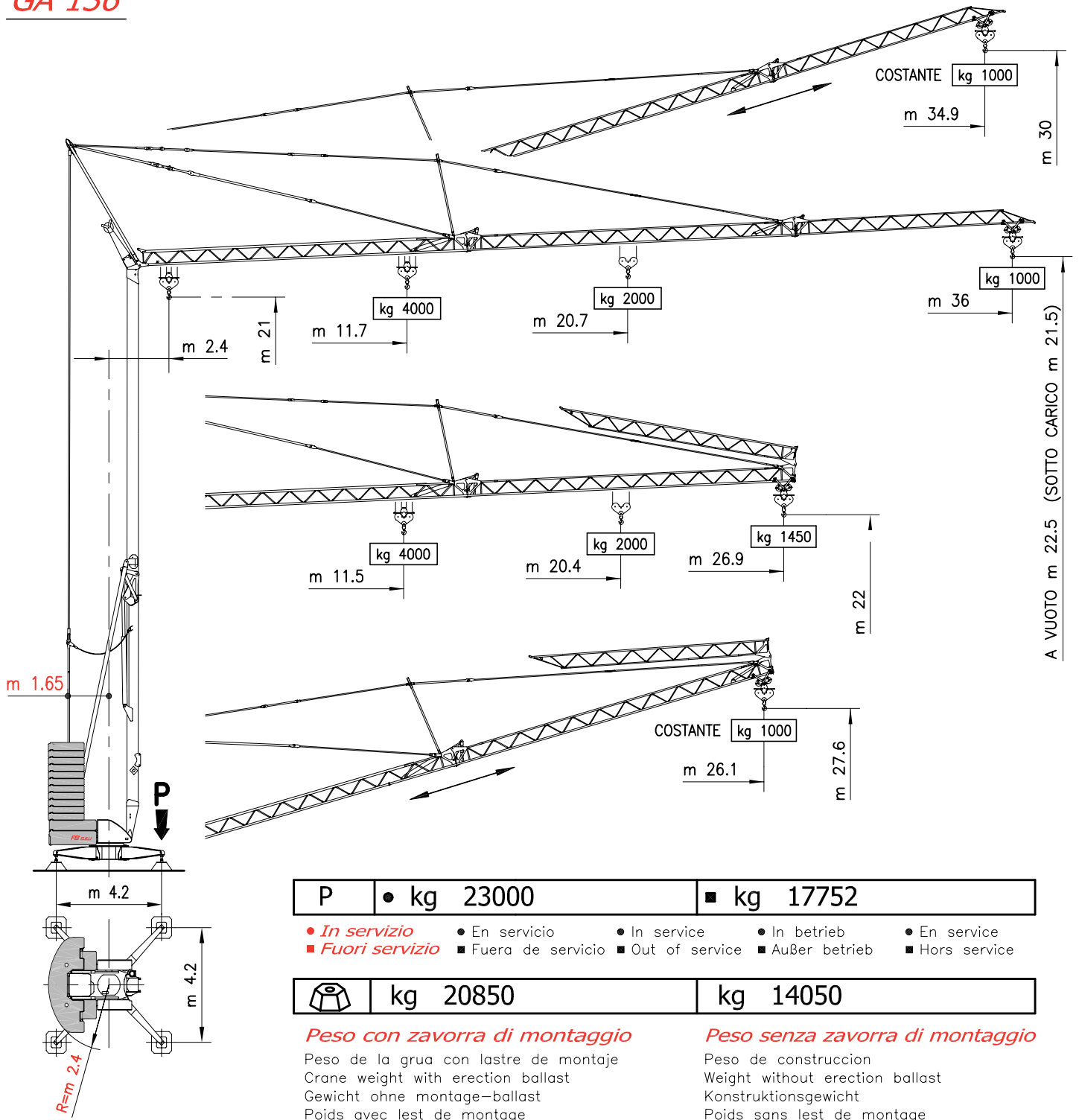
Via XXV Aprile, 58

23868 Valmadrera (LC) - ITALIA

Tel. 0341.581108 - Fax 0341.200253

E-mail : fbgru@fbgru.it - <http://www.fbgru.it>





LA GRU LA GRÚA — CRANE
KRAM — GRUE





MECCANISMI


MECANISMOS — MECHANISMS

ANTRIEBE — MÉCANISMES

MOVIMENTO MOVIMIENTO MOVEMENT BEWEGUNG MOUVEMENT	ALIMENTAZIONE ALIMENTACION OPERATING VOLTAGE BETRIEBSSPANNUNG TENSION DE SERVICE	PRESTAZIONI FUNCIONAMIENTOS PERFORMANCES LEISTUNGEN EXÉCUTIONS	POTENZA NECESSARIA POTENCIA NECESARIA POWER REQUIREMENT KRAFT DARF PUISSANCE NÉCESSAIRE
---------------------------------------------------------------------	-----------------------------------------------------------------------------------------------------	-----------------------------------------------------------------------------------	------------------------------------------------------------------------------------------------------------

SOLLEVAMENTO ELEVACION — HOISTING HEBEN — LEVAGE  INVERTER	400 V 50 Hz	▷ m/1' - kg	▷▷ m/1' - kg	▷▷▷ m/1' - kg	kW 9.2
		II 5 ↓ ↑	II 26 ↑ II 27 ↓	II 40 ↑ II 42 ↓	
		2000	2000	1000	
		IV 3 ↓ ↑	IV 13 ↑ IV 14 ↓	IV 20 ↑ IV 21 ↓	
		4000	4000	2000	

CARRELLO CARRILLO — JIB TROLLEY LAUFKATZE — DISTRIBUTION  INVERTER	400 V 50 Hz	▷ m/1'	▷▷ m/1'	▷▷▷ m/1'	kW 3
		18	30	48	

ROTAZIONE ROTACION — SLEWING DREHEN — ORIENTATION  INVERTER	400 V 50 Hz	▷ g/1'	▷▷ g/1'	▷▷▷ g/1'	kW 3
		0 → 0.15	0.15 → 0.6	0.6 → 0.85	



Conforme alle direttive
CEE sul livello acustico
2000/14/CE

Conforme con las directivas
CEE sobre el nivel acustico

In compliance with the EEC
instructions on noise level



Gemass EWG-Richtlinien für
den Schall-Leistungspegel

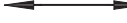
Conforme aux directives CEE
sur le niveau acoustique

CURVE DI CARICO

CURVAS DE CARGAS — LOAD DIAGRAMS

LASTKURVEN — COURBES DE CHARGES



 	m	11.7	14	16	18	20.7	22	24	26	28	30	32	34	36
	kg	IV 4000	IV 3238	IV 2772	IV 2355	II 2000	II 1866	II 1686	II 1534	II 1406	II 1295	II 1199	II 1114	II 1000

BRACCIO IMPENNATO FLECHA IZADA LUFFING JIB AUSLEGER IN STEILSTELLUNG FLÈCHE RELEVÉE	 Carrellino distributore Carrellino distribuidor — Traversing trolley Verfahrbare laufkatze — Chariot distributeur	kg 1000
--------------------------------------------------------------------------------------------------------	-----------------------------------------------------------------------------------------------------------------------------------------------------------------------------------------------------------------------	---------

POTENZA RICHIESTA

POTENCIA-ELECTRICA NECESARIA — NECESSARY ELECTRIC POWER

KRAFTBEDARF — PUISSANCE ELECTRIQUE NECESSAIRE

ALIMENTAZIONE TRIFASE TRIFASICA THREE PHASE DREIPHASIGE TRIPHASE	12 kw	400 V - 50 Hz	SOLLEVAMENTO ELEVACION HOISTING HEBEN LEVAGE	 kg 2000  kg 4000
-------------------------------------------------------------------------------------	-------	---------------	-----------------------------------------------------------------	------------------------------------------------------------------------------------------------------------------------------------------------------------------------------------------------

Con riserva di modifiche

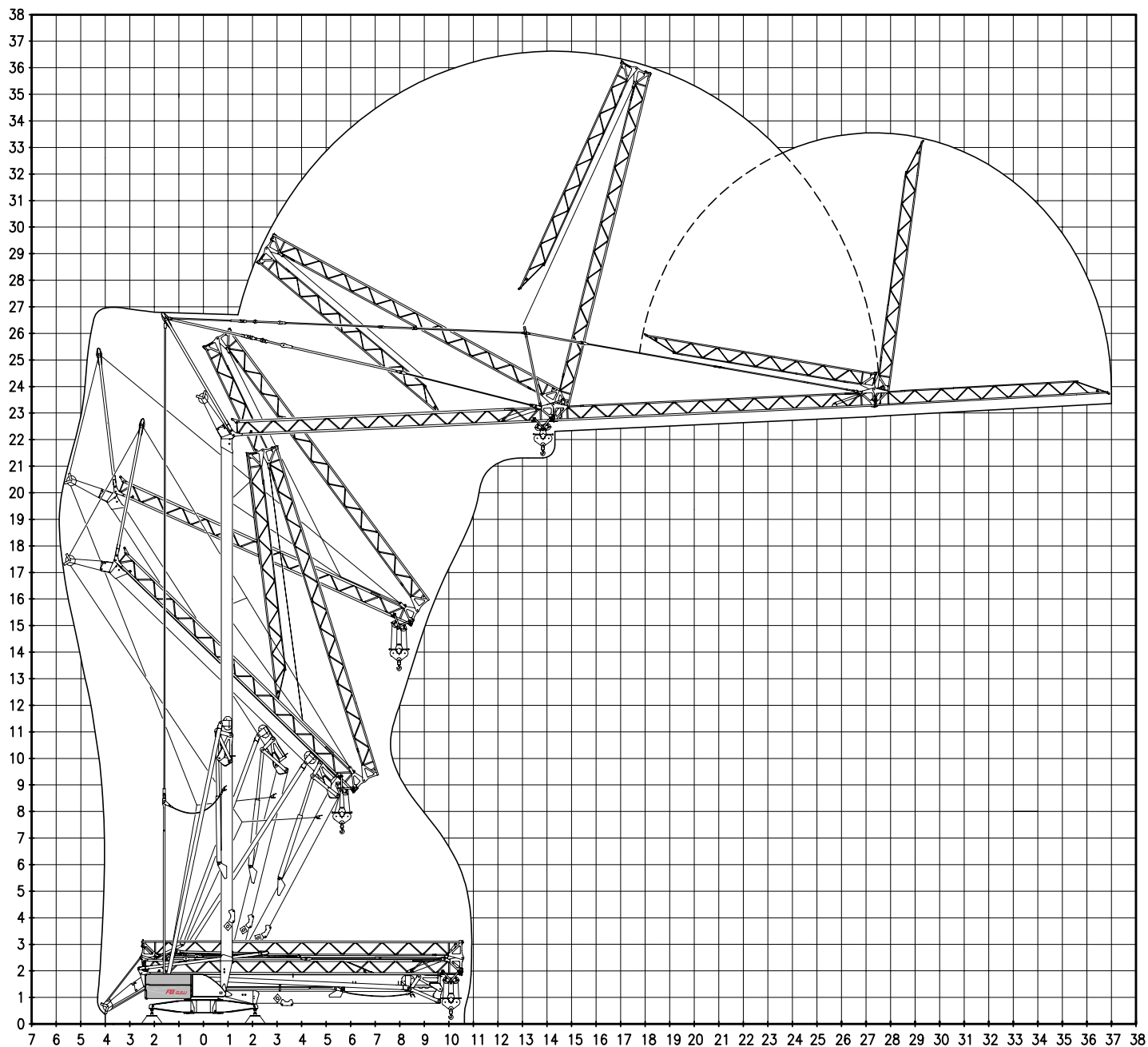
Derecho de modificaciones reservadas

Subject to change without notice

Anderungen vorbehalten

Modifications réservées

MONTAGGIO MONTAJE — ERECTION
MONTAGE — MONTAGE



TRASPORTO TRANSPORTE — TRANSPORT
TRANSPORT — TRANSPORT

